

The **GUARDIAN ED8660™ BackPack** features electrostatic cleaning technology combined with ElectroDefense's patented, first to market **SmartSprayer™** and **SprayTrack™ mobile job accountability technology**, puts control into your hands for the most efficient fluid dispersal possible. The **GUARDIAN's** robust, yet sleek ergonomic design offers unparalleled comfort, lending itself to more effective deployment throughout all tasks.

Convenient anodized aluminium no tool 4-in-1 twist micron size adjustor with fluid return & system clean nozzle

150 lumen focus light

One click electrostatic or regular spray activator

One click self cleaning function

TPR polymer gun undercarriage

Bright, back lit system diagnostic & operational LCD color display

Wrist Stress Relieving Ergonomically Designed Gun & Holster Clip

High-grade memory foam lumbar, shoulder & waist support

Light weight aluminium clips

Rapid release aluminium gun holster

Non-slip dual surface handle

Fluid proof, secure phone storage

Aerospace grade TPR polymer reinforced base

4 hr. run time, 6,000 mAh fast charge battery

Multifunctional splashguard with automated refill IP68 LED

Advanced polymer quick release dual filtration cleaning tank with best in class corrosion resistance

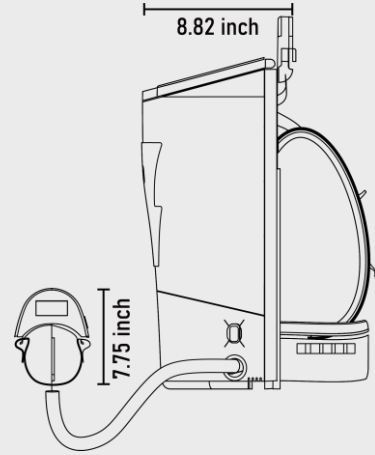
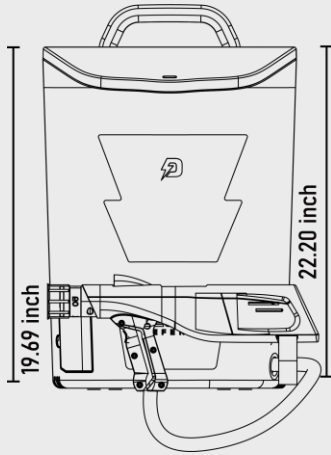
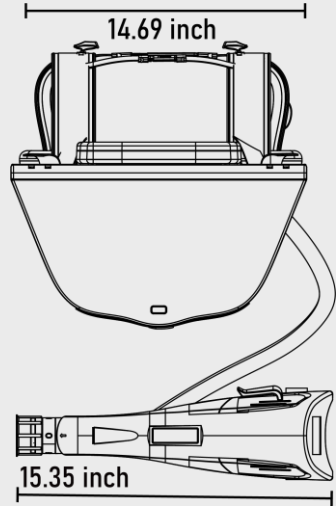
Polycarbonate composite BackPack shell, lid and gun

SmartSprayer™ Wi-Fi & Bluetooth App for live job tracking & inventory management

6ft Teflon acid & corrosion resistant hose with galvanized steel connector rings

Ergonomic, non-slip hand grip with button switch for comfortable extended use

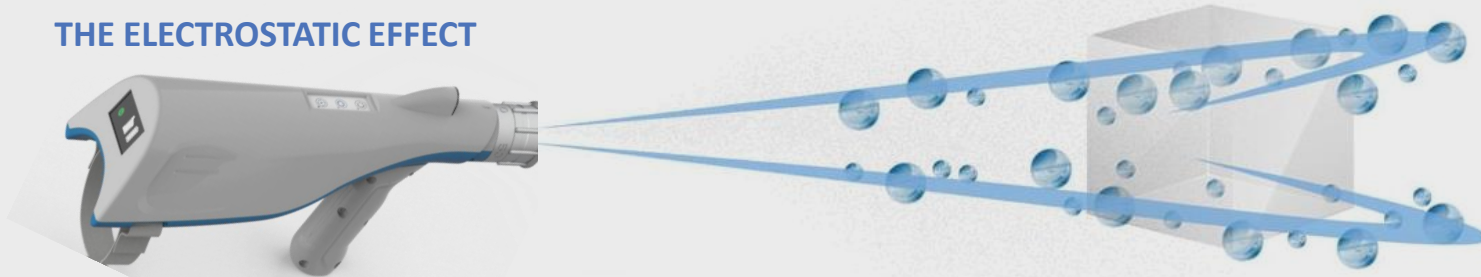
DIMENSIONS



CERTIFICATIONS



THE ELECTROSTATIC EFFECT



SPECIFICATIONS

Nozzle Setting	50 microns	70 microns	90 microns
Flow Rate	4 oz/min	6.91 oz/min	7.8 oz/min
Run time per tank	71 minutes	37.2 minutes	24.5 minutes
Tanks Per charge	3.4 tanks	4.9 tanks	6.5 tanks
Coverage per tank	25,000 sqft	17,500 sqft	11,450 sqft

Warranty	Power
1 year	6,000 mAh
Weight	Tank Capacity
20.5lbs (29 - 40lbs wet)	1 or 2.25 Gal options

Key App Functions			
System Diagnostics	Fluid Use	Inventory Mgmt	Warranty Mgmt
Real Time Job Tracking	Total Hours	Job Comparison	In App Training

EXAMPLE INDUSTRY APPLICATIONS

